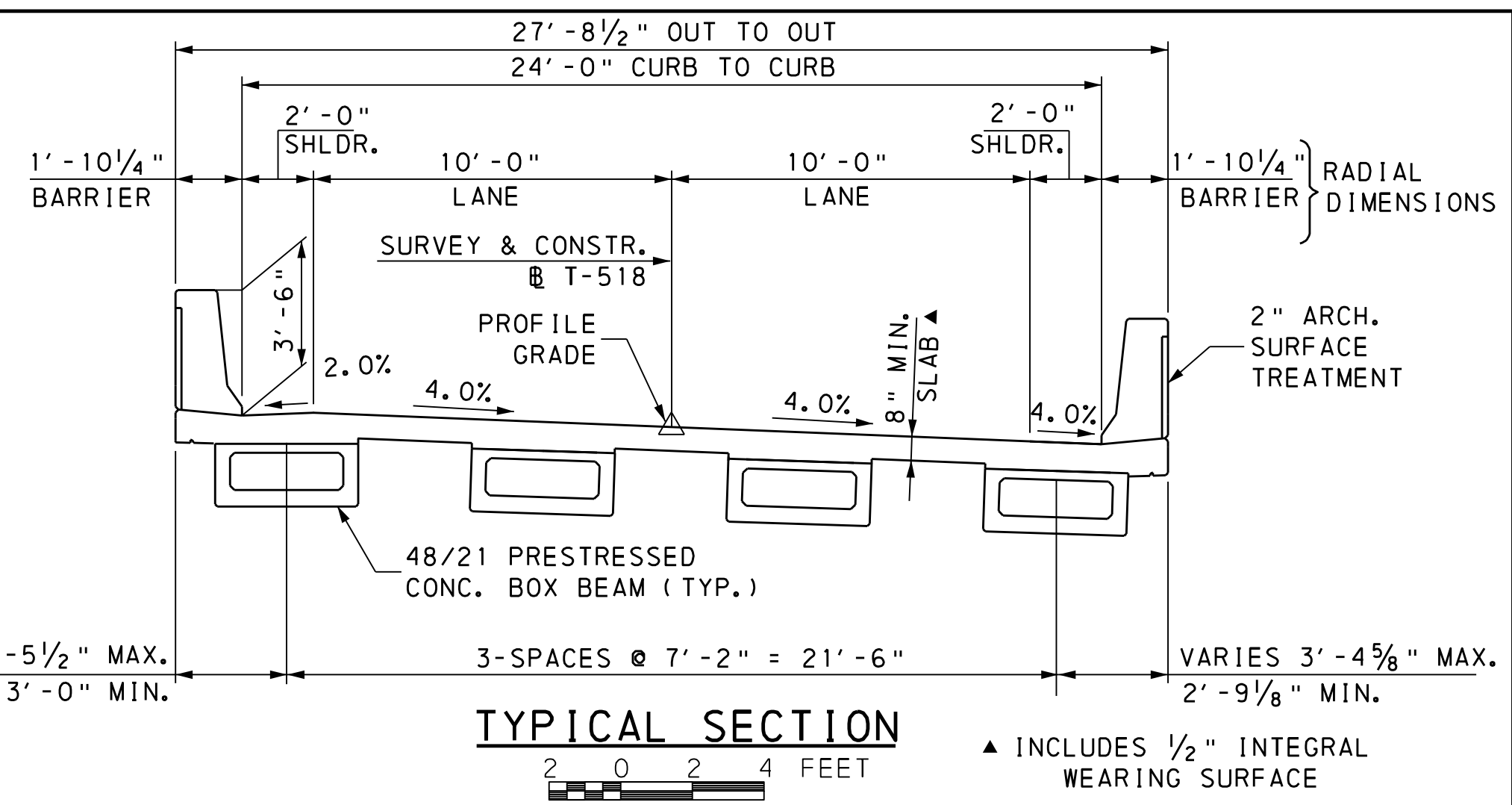
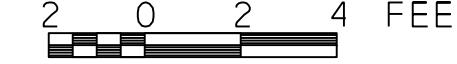


CORE BORING LOCATIONS		
BORING NO.	STATION	OFFSET
B-1	6+84	17' RT
B-2	6+98	0.00'
B-3	6+97	23' LT
B-4	7+44	6' RT
B-5	7+58	7' LT
B-6	8+02	10' RT
B-7	8+05	0.00'
B-8	8+14	19' LT

● DENOTES CORE BORING LOCATION  
 @ T-518 (PETERSBURG ROAD)  
 OFFSETS ARE FROM SURVEY & CONSTR.



TYPICAL SECTION



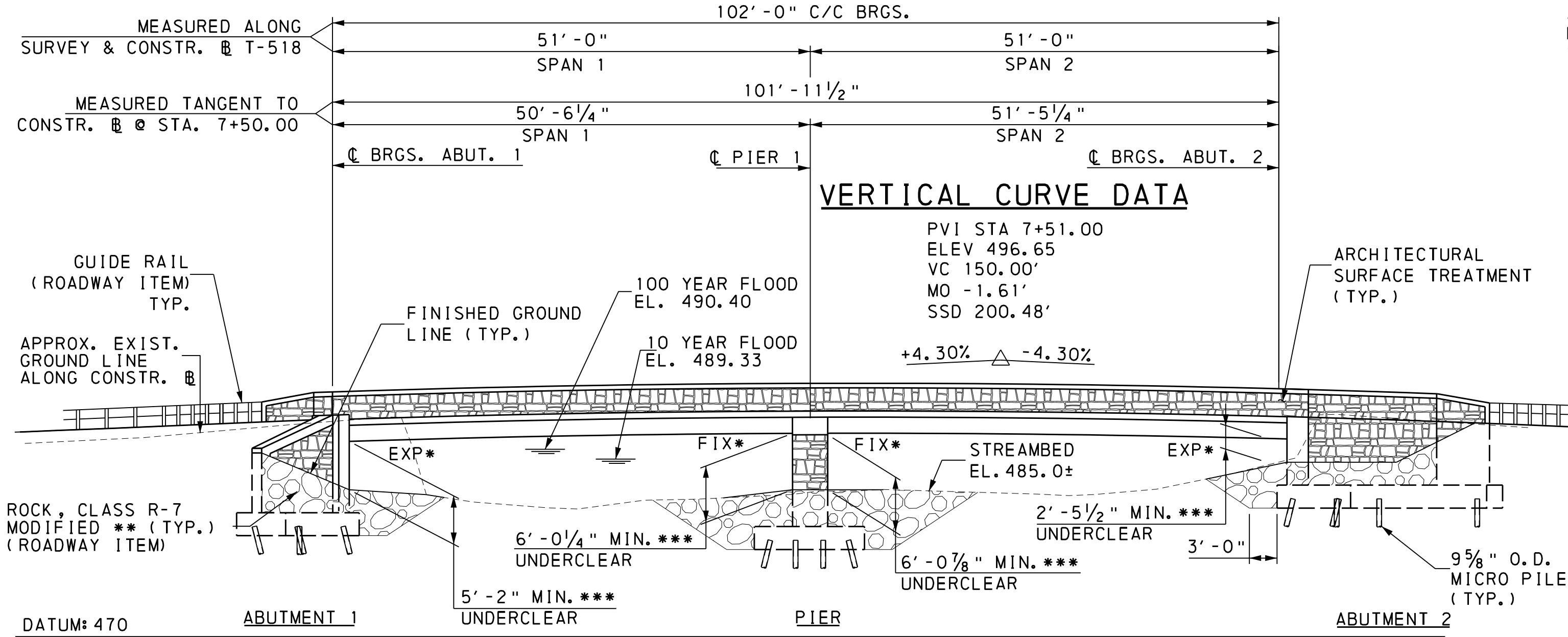
▲ INCLUDES 1/2" INTEGRAL WEARING SURFACE

HORIZONTAL CURVE DATA

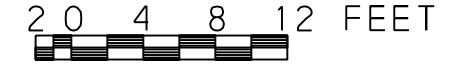
P. I. STA. 7+48.54  
 D = 5° 33' 46"  
 Δ = 16° 14' 33" RT.  
 R = 1030.00'  
 T = 146.98'  
 L = 291.99'  
 E = 10.43'  
 SE = 4.0%

VERTICAL CURVE DATA

PVI STA 7+51.00  
 ELEV 496.65  
 VC 150.00'  
 MO -1.61'  
 SSD 200.48'

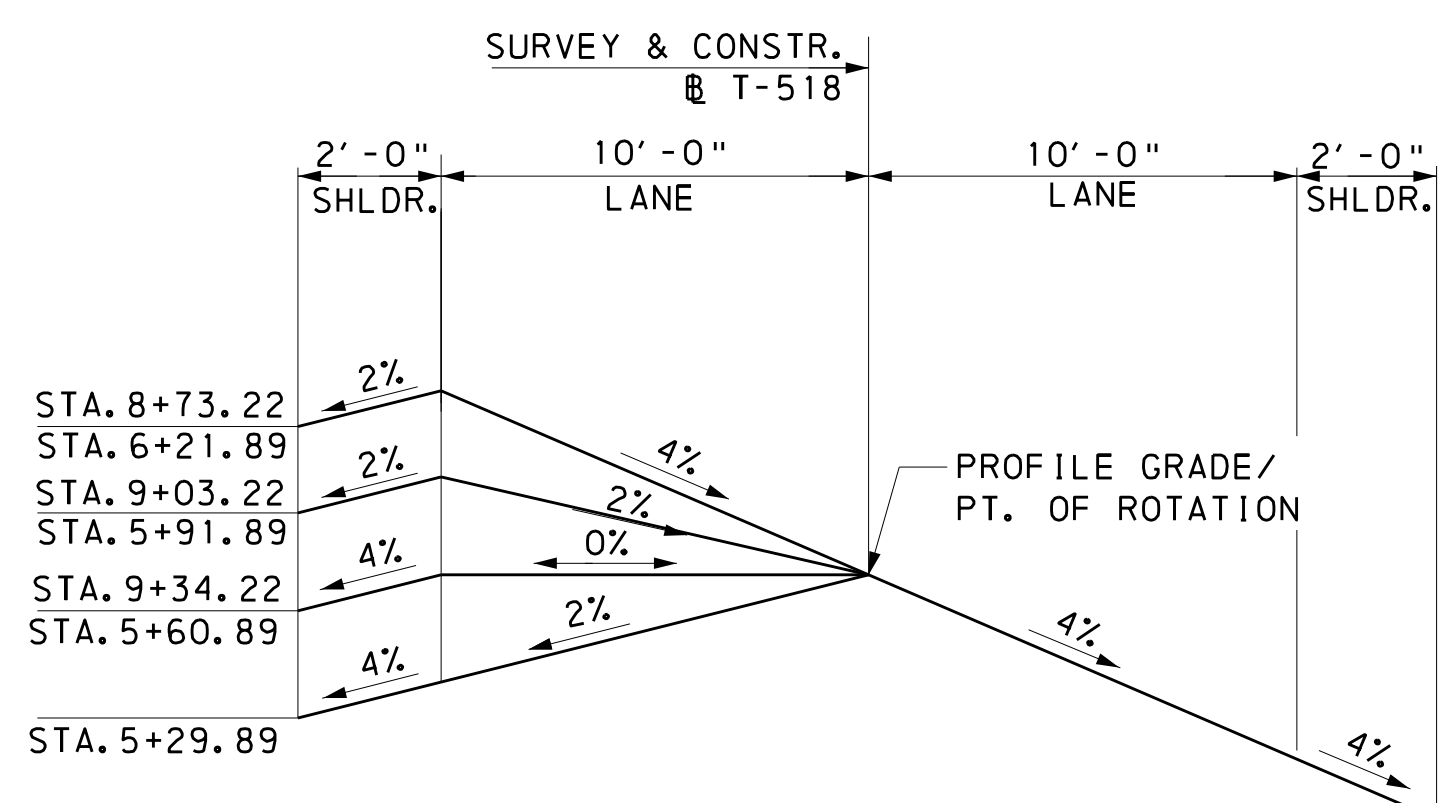


ELEVATION



\* LAMINATED ELASTOMERIC PADS  
 \*\* CHOKE WITH ROCK, CLASS R-4, SEAL WITH GROUT  
 \*\*\* REQUIRED AND PROVIDED

SUPERELEVATION TRANSITION DIAGRAM



INDEX OF DRAWINGS

SHEET NUMBER	TITLE
1	GENERAL PLAN
2	STAKE-OUT PLAN & GENERAL NOTES
3	QUANTITIES & BRIDGE RATINGS
4	ABUTMENT 1
5	ABUTMENT 1 - FOOTING PLAN
6	ABUTMENT 1 - SECTIONS
7	ABUTMENT 1 - SAFETY WINGS
8	ABUTMENT 2 - PLAN
9	ABUTMENT 2 - FOOTING PLAN
10	ABUTMENT 2 - ELEVATIONS
11	ABUTMENT 2 - SAFETY WINGS
12	WING D DETAILS
13	MICROPILE DETAILS
14	PIER
15	PIER DETAILS
16	FRAMING PLAN
17	BEAM DETAILS
18	DAP DETAILS
19	BEARING PAD DETAILS
20	SLAB PLAN
21	TYPICAL SECTION
22	DIAPHRAGM DETAILS
23	REINFORCEMENT BAR SCHEDULE - ABUT. 1
24	REINFORCEMENT BAR SCHEDULE - ABUT. 2
25	REINFORCEMENT BAR SCHEDULE - PIER
26	REINFORCEMENT BAR SCHEDULE - SUPERSTR.
27	TEST BORING RESULTS
28	TEST BORING RESULTS
29	TEST BORING RESULTS
30	TEST BORING RESULTS
31	TEST BORING RESULTS

Mark	Description	By	Chk'd	Recm'd	Date
REVISIONS					

HYDRAULIC DATA

DRAINAGE AREA = 114 SQ. MI.  
 DESIGN FLOOD:  
 FREQUENCY = 10 YEARS  
 MAGNITUDE = 3,531 CFS  
 VELOCITY = 5.4 FPS  
 ELEVATION = 489.33  
 100 YR. FLOOD:  
 MAGNITUDE = 8,619 CFS  
 VELOCITY = 6.4 FPS  
 ELEVATION = 490.40  
 FLOOD OF RECORD: N/A

DESCRIPTION	DWG. NO.	DATE
TYPICAL WATERPROOFING & EXPANSION DETAILS	BC-788M	11/21/14
MISCELLANEOUS PRESTRESS DETAILS	BC-775M	11/26/13
BEARINGS	BC-755M	11/26/13
CONCRETE DECK SLAB DETAILS	BC-752M	11/21/14
BRIDGE DRAINAGE	BC-751M	11/21/14
BRIDGE BARRIER TO GUIDE RAIL TRANSITION	BC-739M	5/18/12
REINFORCEMENT BAR FABRICATION DETAILS	BC-736M	5/18/12
WALL CONSTRUCTION & EXPANSION JOINT DETAILS	BC-735M	10/26/10
ANCHOR SYSTEMS	BC-734M	10/26/10
PERMANENT METAL DECK FORMS	BC-732M	10/26/10
TYPE 2 STRONG POST GUIDE RAIL	RC-52M	6/1/10
GUIDE RAIL TRANSITION AT END OF STRUCTURE	RC-50M	6/1/10
BACKFILL AT STRUCTURES	RC-12M	6/1/10
CLASSIFICATION OF EARTHWORK FOR STRUCTURES	RC-11M	6/1/10

SUPPLEMENTAL DRAWINGS

COMMONWEALTH OF PENNSYLVANIA  
 DEPARTMENT OF TRANSPORTATION

CUMBERLAND COUNTY  
 SOUTH MIDDLETON TOWNSHIP  
 T-518 (PETERSBURG ROAD) STA. 7+50.00  
 OVER YELLOW BREECHES CREEK  
 TWO SPAN CONT. COMPOSITE PRESTRESSED  
 CONCRETE SPREAD BOX BEAM BRIDGE  
 GENERAL PLAN

RECOMMENDED \_\_\_\_\_ SHEET 1 OF 1  
 \_\_\_\_\_ + SUPPLEMENTAL DRAWINGS  
 BRIDGE ENGINEER S-

PREPARED BY  
 HERBERT, ROWLAND AND GRUBIC INC.  
 369 EAST PARK DRIVE  
 HARRISBURG, PA 17111

FILE NAME: P:\0044\004440\_0448\micr\cor\st\ton\BRIDGE\01-B04440448CP.dgn  
 PLOTTED: 3/23/2018 8:38:54 AM  
 PEN TABLE: files\corte\_user.tbl  
 PLOT DRIVER: R:\micr\st\ton\as\tdr\p\tdr\XMA.PDF.pdf\_bw\_ful.plt